

PRINTED CATALOGUE



WEBSITE LINK

[/ products](#) / [ZINLUX luminaires](#) / [indirect lighting](#)

PRODUCT NO:

DESCRIPTION:

IMAGE



ZINLUX

Millenium CT LED



ZINCOMETAL S.A. is constantly developing and improving its products. For this reason, all product descriptions in this catalogue are intended as a general guide, and we may change specifications from time to time in the interest of product development, without prior notification or public announcement. Regarding the validity of the International Standards it is considered always the oldest edition.

Stay tuned with the company by signing up in ZINCOMETAL's Newsletter ([www.zincometal.gr](http://www.zincometal.gr)) and Social Media.

## 2.6. MILLENIUM Collection

### ZINLUX Millenium CT

#### Image 1

Indirect lighting  
ZINLUX Millenium CT/1  
luminaire in combination with  
decorative pole in stepped  
tubular section from  
CITY Collection



**Image 2**

ZINLUX Millenium CT/1  
luminaire with "Single"  
reflection

**Image 3**

ZINLUX Millenium CT/2  
luminaire with "Double"  
reflection



**Application** The luminaire is ideal for urban lighting applications such as squares and pedestrian areas, parks, urban roads and streets etc.

**Introduction** It's a combination of a rectangular floodlight with a reflector which reflects the light beam to the ground.

**Complete lighting system** It's combined with the MILLEN C floodlight with the choice of RF-AL-48A (ZINLUX Millenium CT/1, luminaire with "single" reflection) or with the reflector RF-AL-50D (ZINLUX Millenium CT/2, luminaire with "double" reflection).

For a better aesthetic result the indirect lighting luminaire is combined with steel decorative lighting poles of SANTA and CITY Collection or with aluminium lighting poles of ATHOS Collection.

### Technical Features

“Single” reflector



Semi-curved reflector of rectangular form from high quality aluminium sheet with “Single” reflection, 480mm width and 500mm horizontal projection (RF-AL-48A).

“Double” reflector



Semi-curved reflector of rectangular form from high quality aluminium sheet with “Double” reflection, 500mm width and 600mm horizontal projection (RF-AL-50D).

Polyester powder coating in white color for better reflection of the light.

Indirect floodlight



The body of the floodlight is in rectangular form made of die-cast aluminium (MILLEN C).

Diffuser tempered glass of flat form, 5mm thickness, featured by high transparency, resistant to impact and thermal shock. It's sealed with silicone rubber gasket.

Polyester powder coating for resistance to corrosion and for optimum protection against harsh environments and seaside areas. In order to maximize this effect, it is proposed to apply a final electrostatic powder coating with a top layer of gloss clear coat (optional).

There is a special cooling system (heatsink) is made of high quality aluminium alloy, which helps the effective heat management in order to ensure the proper operation and to maximize the lifetime of LEDs .

The power supply is adjusted in a special removable steel plate. It has over temperature protection in order to increase lifetime and to gurantee proper operation of the LED luminaire. All the electrical connections are done with cables of silicone insulation with high thermal resistance more than 120°C.

**Additional features:**

- Waterproof and dustproof protection : IP65
- Mechanical Impact: IK09
- Electrical Insulation: Class I

Power versions

LED 20-40W

The luminaire incorporates leading-edge LED technology.

Correlated Color Temperature  
(CCT)

Color temperature is Neutral White - 4000K.

Possibility of choice of Correlated Color Temperature (CCT) according to customer needs.

**Connection details**

Connection accessories

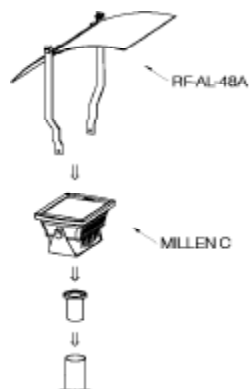
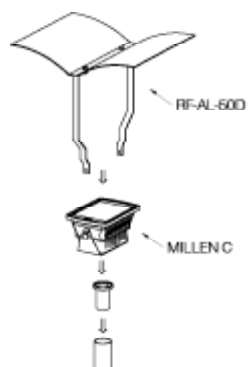
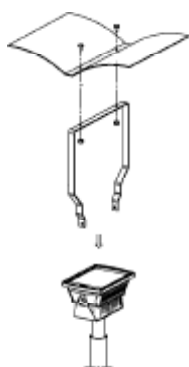
Range T



Die-cast aluminium component with  $\Phi 45$ mm socket for post-top mounting  $\Phi 60$ mm (T 45/76).



Die-cast aluminium component with  $\Phi 60$ mm socket for post-top mounting  $\Phi 76$ mm (T 60/76).

**Assembling - Mounting**Luminaire with "Single"  
reflectorLuminaire with "Double"  
reflector

The luminaire has been designed for post-top mounting  $\Phi 60\text{mm}$  e  $\Phi 76\text{mm}$ .

Colors White aluminium – RAL 9006

Grey aluminium - RAL 9007

Anthracite grey - RAL 7016

If it is necessary there is a great choice of RAL colors according to customer needs.

**Regulations – Approvals**

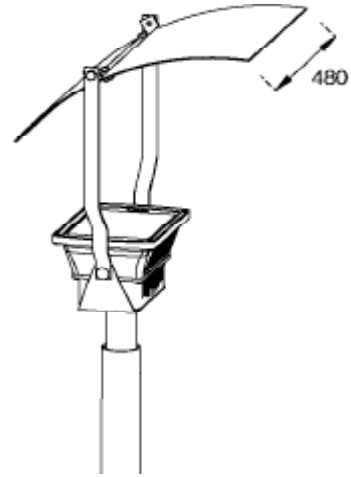
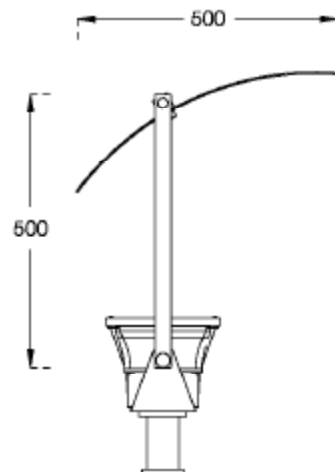
Manufactured according to European Directives and Standards and has CE Certification.

Dimensional drawings

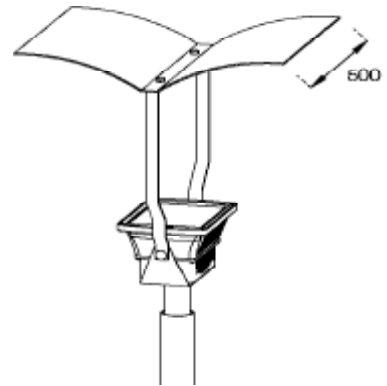
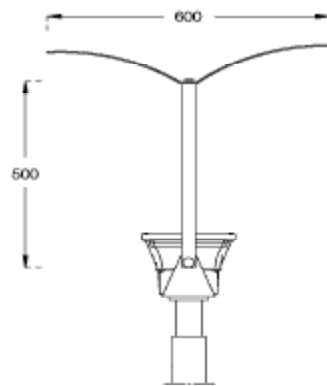
Gross weight: 6.50kg

Wintage: 0.16m<sup>2</sup>

Luminaire with "Single" reflection



Luminaire with "Double" reflection



## Table of Indirect Lighting Luminaires - LED technology

**ZINLUX Millenium CT**

Code		Rated power	No LED	Luminous flux	Color temperature	Ideal for poles
		W	pcs.	LED flux (Lm @ T <sub>j</sub> =25°C) <sup>1</sup>	K	m
"Single" reflector	L- Millenium CT/1/LD	20	-	2743	4000 (Neutral White)	3.00-5.00
		30		3920		
		40		4990		
"Double" reflector	L- Millenium CT/2/LD	20	-	2743	4000 (Neutral White)	3.00-5.00
		30		3920		
		40		4990		

<sup>1</sup>Rated data from LED manufacturer datasheet.

**Additional data**

Rated voltage: 220-240V AC, Input frequency: 50/60Hz, LED source efficacy: 150 lm/W @ 85°C - Binning conditions, Power factor (p): >0.92, THD: <20%, Rated Color Rendering Index (CRI) ≥70, Temperature of working conditions: -30°C up to +60°C, Humidity of working conditions: 10% - 90%, Rated life: >50000hrs.

Because of rapid technological development of LED, the above information contained in this document may change without notice. They should be confirmed in case of order.

Copyright © 2016 - All rights reserved ZINCOMETAL S.A.

All rights reserved.

Reproduction in whole or in part is prohibited without the prior written consent of the copyright owner. The information presented in this document does not form part of any quotation or contract, is believed to be accurate and reliable and may be changed without notice. No liability will be accepted by the publisher for any consequence of its use. Publication thereof does not convey nor imply any license under patent or other industrial or intellectual property rights.



[www.zincometal.gr](http://www.zincometal.gr)

**Δ.** 10ο χλμ. Κιλκίς-Πολυκάστρου  
61100 Κιλκίς, τ.θ. 21  
**AD.** 10th km. Kilkis - Polikastro  
P.C. 61100 Kilkis, Greece

**T.** +30 23410 75651-3  
+30 23410 71581  
**F.** +30 23410 71734

**E.** info@zincometal.gr  
**WEB.** www.zincometal.gr

The logo for Zin lux lighting, featuring a stylized light fixture icon above the text "zin lux lighting".

zin  
lux  
lighting

The logo for hellenic griglia, featuring a stylized grid icon above the text "hellenic griglia".

hellenic griglia