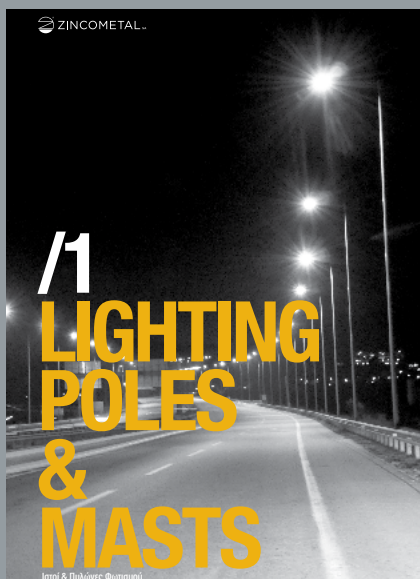


PRINTED CATALOGUE



WEBSITE LINK

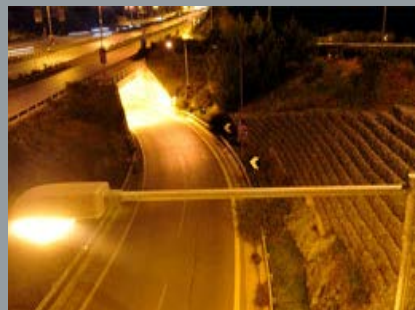
[/ products / complementary pole products](#)

PRODUCT NO:

DESCRIPTION:

IMAGE

street lighting
brackets



ZINCOMETAL S.A. is constantly developing and improving its products. For this reason, all product descriptions in this catalogue are intended as a general guide, and we may change specifications from time to time in the interest of product development, without prior notification or public announcement. Regarding the validity of the International Standards it is considered always the oldest edition.

Stay tuned with the company by signing up in ZINCOMETAL's Newsletter (www.zincometal.gr) and Social Media.

1.4.1. Street lighting brackets Type "OUT"

Image 1



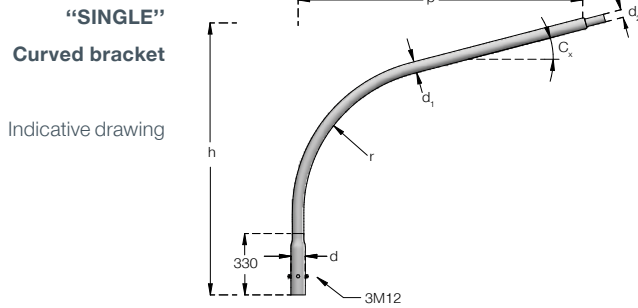
Material Steel tube from hot rolled steel grade S235JR according to EN 10025 manufactured to EN 10219.

Surface protection Hot-dip galvanized according to International Standard EN ISO 1461.

Manufacturing Cutting, drilling, forming and welding according to the project needs. External mounting on pole top is adjusted through screws.

Certifications CE Certificate of Notified European Body (EN 40, European Commission).

Curved brackets for the street lighting



Tables
Single curved bracket

Bracket d=Φ76mm
for mounting on pole top
Φ60-Φ65mm

Code	p	h	r	d	d ₁	d ₂	Weight	c _x	
	mm	mm	mm	mm	mm	mm	kg	°	
Φ42	BR-MK/1000/60-42/76	1000	1000	500	Φ76x3	Φ60x3	Φ42	15	15
	BR-MK/1500/60-42/76	1500	1150					16	
	BR-MK/1800/60-42/76	1800	1250					17	
	BR-MK/2300/60-42/76	2300	1400					20	
Φ60	BR-MK/1000/60-60/76	1000	1000	500	Φ76x3	Φ60x3	Φ60	15	15
	BR-MK/1500/60-60/76	1500	1150					16	
	BR-MK/1800/60-60/76	1800	1250					17	
	BR-MK/2300/60-60/76	2300	1400					20	

Bracket d=Φ102mm
for mounting on pole top
Φ90mm

Code	p	h	r	d	d ₁	d ₂	Weight	c _x	
	mm	mm	mm	mm	mm	mm	kg	°	
Φ42	BR-MK/1000/60-42/102	1000	1000	500	Φ102x3	Φ60x3	Φ42	17	15
	BR-MK/1500/60-42/102	1500	1150					18	
	BR-MK/1800/60-42/102	1800	1250					19	
	BR-MK/2300/60-42/102	2300	1400					22	

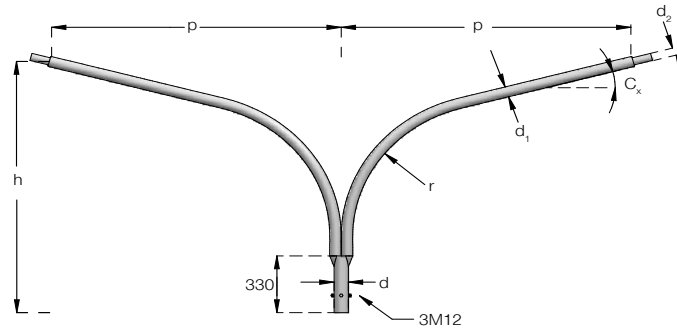
Note

Tables are grouped according
to bracket spigot d₂

Φ60	BR-MK/1000/60-60/102	1000	1000	500	Φ102x3	Φ60x3	Φ60	17	15
	BR-MK/1500/60-60/102	1500	1150					18	
	BR-MK/1800/60-60/102	1800	1250					19	
	BR-MK/2300/60-60/102	2300	1400					22	

"DOUBLE"
Curved bracket

Indicative drawing



Tables
Double curved bracket

Bracket d=Φ76mm
for mounting on pole top
Φ60-Φ65mm

Code	p	h	r	d	d ₁	d ₂	Weight	c _x	
	mm	mm	mm	mm	mm	mm	kg	°	
Φ42	BR-DK/1000/ 60-42/76	1000	1000	500	Φ76x3	Φ60x3	Φ42	18	15
	BR-DK/1500/ 60-42/76	1500	1150					22	
	BR-DK/1800/ 60-42/76	1800	1250					24	
	BR-DK/ 2300/ 60-42/76	2300	1400					33	
Φ60	BR-DK/1000/ 60-60/76	1000	1000	500	Φ76x3	Φ60x3	Φ60	18	15
	BR-DK/1500/ 60-60/76	1500	1150					22	
	BR-DK/1800/ 60-60/76	1800	1250					24	
	BR-DK/ 2300/ 60-60/76	2300	1400					33	

Bracket d=Φ102mm
for mounting on pole top
Φ90mm

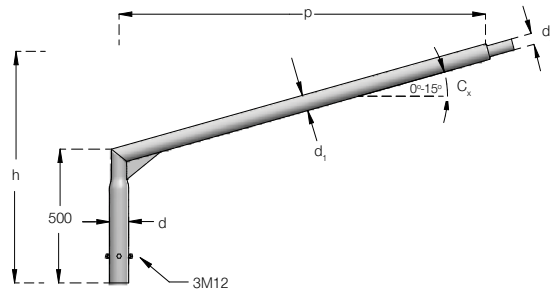
Code	p	h	r	d	d ₁	d ₂	Weight	c _x	
	mm	mm	mm	mm	mm	mm	kg	°	
Φ42	BR-DK/1000/60-42/102	1000	1000	500	Φ102x3	Φ60x3	Φ42	20	15
	BR-DK/1500/60-42/102	1500	1150					24	
	BR-DK/1800/60-42/102	1800	1250					26	
	BR-DK/ 2300/60-42/102	2300	1400					35	
Φ60	BR-DK/1000/60-60/102	1000	1000	500	Φ102x3	Φ60x3	Φ60	20	15
	BR-DK/1500/60-60/102	1500	1150					24	
	BR-DK/1800/60-60/102	1800	1250					26	
	BR-DK/ 2300/60-60/102	2300	1400					35	

Note
Tables are grouped according
to bracket spigot d₂

Straight brackets for the street lighting

"SINGLE"
Straight bracket

Indicative drawing



Tables
Single straight bracket

Bracket d=Φ76mm
for mounting on pole top
Φ60-Φ65mm

Code	p	h	d	d ₁	d ₂	Weight	c _x
	mm	mm	mm	mm	mm	kg	°
Φ42	BR-ME/500/60-42/76	500	550	Φ76x3	Φ60x3	6.5	5
	BR-ME/1000/60-42/76	1000	600			8	
	BR-ME/1500/60-42/76	1500	650			11	
	BR-ME/2000/60-42/76	2000	700			14	
	BR-ME/2500/60-42/76	2500	750			17	
	BR-ME/2500/60-42/76/4				Φ60x4	20	

Φ60	BR-ME/500/60-60/76	500	550	Φ76x3	Φ60x3	6.5	5
	BR-ME/1000/60-60/76	1000	600			8	
	BR-ME/1500/60-60/76	1500	650			11	
	BR-ME/2000/60-60/76	2000	700			14	
	BR-ME/2500/60-60/76	2500	750			17	
	BR-ME/2500/60-60/76/4				Φ60x4	20	

Bracket d=Φ102mm
for mounting on pole top
Φ90mm

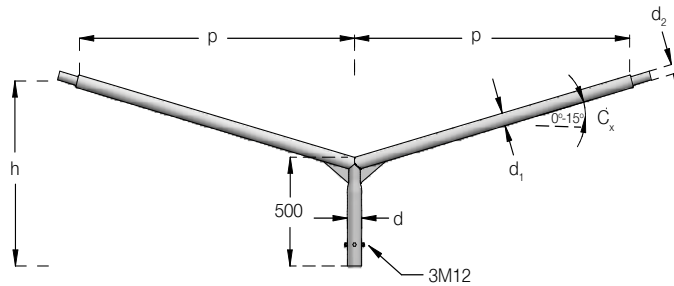
Code	p	h	d	d ₁	d ₂	Weight	c _x
	mm	mm	mm	mm	mm	kg	°
Φ42	BR-ME/500/60-42/102	500	550	Φ102x3	Φ60x3	8	5
	BR-ME/1000/60-42/102	1000	600			10	
	BR-ME/1500/60-42/102	1500	650			13	
	BR-ME/2000/60-42/102	2000	700			15	
	BR-ME/2500/60-42/102	2500	750			19	
	BR-ME/2500/60-42/102/4				Φ60x4	23	

Code		p	h	d	d ₁	d ₂	Weight	c _x
		mm	mm	mm	mm	mm	kg	°
Φ60	BR-ME/500/60-60/102	500	550	Φ102x3	Φ60x3	Φ60	8	5
	BR-ME/1000/60-60/102	1000	600				10	
	BR-ME/1500/60-60/102	1500	650				13	
	BR-ME/2000/60-60/102	2000	700				15	
	BR-ME/2500/60-60/102	2500	750	Φ60x4	19			
	BR-ME/2500/60-60/102/4				23			
	BR-ME/3000/90-60/102	3000	763	Φ102x4	Φ89x3		33	
	BR-ME/3500/90-60/102	3500	807				37	

Note
Tables are grouped according to bracket spigot d₂

"DOUBLE"
Straight bracket

Indicative drawing



Tables
Double straight bracket

Bracket d=Φ76mm
for mounting on pole top
Φ60-Φ65mm

Code		p	h	d	d ₁	d ₂	Weight	c _x
		mm	mm	mm	mm	mm	kg	°
Φ42	BR-DE/500/60-42/76	500	550	Φ76x3	Φ60x3	Φ42	11	5
	BR-DE/1000/60-42/76	1000	600				15	
	BR-DE/1500/60-42/76	1500	650				20	
	BR-DE/2000/60-42/76	2000	700				27	
	BR-DE/2500/60-42/76	2500	750				29	
	BR-DE/2500/60-42/76/4						Φ60x4	

Φ60	BR-DE/500/60-60/76	500	550	Φ76x3	Φ60x3	Φ60	11	5
	BR-DE/1000/60-60/76	1000	600				15	
	BR-DE/1500/60-60/76	1500	650				20	
	BR-DE/2000/60-60/76	2000	700				27	
	BR-DE/2500/60-60/76	2500	750				29	
	BR-DE/2500/60-60/76/4						Φ60x4	

Bracket d=Φ102mm
for mounting on pole top
Φ90mm

Code	p	h	d	d ₁	d ₂	Weight	c _x	
	mm	mm	mm	mm	mm	kg	°	
Φ42	BR-DE/500/60-42/102	500	550	Φ102x3	Φ60x3	Φ42	13	5
	BR-DE/1000/60-42/102	1000	600				17	
	BR-DE/1500/60-42/102	1500	650				22	
	BR-DE/2000/60-42/102	2000	700				25	
	BR-DE/2500/60-42/102	2500	750				31	
	BR-DE/2500/60-42/102/4				Φ60x4	37		
Φ60	BR-DE/500/60-60/102	500	550	Φ102x3	Φ60x3	Φ60	13	5
	BR-DE/1000/60-60/102	1000	600				17	
	BR-DE/1500/60-60/102	1500	650				22	
	BR-DE/2000/60-60/102	2000	700				25	
	BR-DE/2500/60-60/102	2500	750				31	
	BR-DE/2500/60-60/102/4				Φ60x4	37		
	BR-DE/3000/90-60/102	3000	763	Φ102x4	Φ89x3		49	
	BR-DE/3500/90-60/102	3500	807				53	

Note

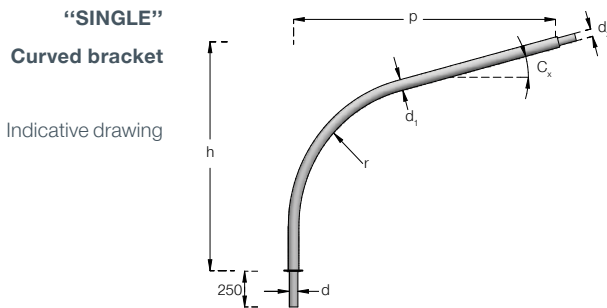
Tables are grouped according
to bracket spigot d₂

Street lighting brackets

Type "IN"

- Material** Steel tube from hot rolled steel grade S235JR according to EN 10025 manufactured to EN 10219.
- Surface protection** Hot-dip galvanized according to International Standard EN ISO 1461.
- Manufacturing** Cutting, drilling, forming and welding are applied according to the project needs. Internal mounting on pole top is adjusted through screws.
- Certifications** CE Certificate of Notified European Body (EN 40, European Commission).

Curved brackets for the street lighting



Tables
Single curved bracket

Bracket d=Φ48mm
for fitting in pole top Φ60mm

Code	p	h	r	d	d ₁	d ₂	Weight	c _x	
	mm	mm	mm	mm	mm	mm	kg	°	
Φ42	BR-MKI/10/1000/60-42/48	1000	1000	500	Φ48x3	Φ60x3	Φ42	9	15
	BR-MKI/10/1500/60-42/48	1500						11	
	BR-MKI/15/1500/60-42/48		1500	13					
	BR-MKI/15/2000/60-42/48	14							
	BR-MKI/15/2500/60-42/48	16							
	BR-MKI/20/1500/60-42/48	1500	2000	1000				15	
	BR-MKI/20/2000/60-42/48	2000						16	
	BR-MKI/20/2500/60-42/48	2500						18	
	BR-MKI/25/2000/60-42/48	2000	2500					18	
	BR-MKI/25/2500/60-42/48	2500						20	
	BR-MKI/30/2000/60-42/48	2000	3000	1200				21	
	BR-MKI/30/2500/60-42/48	2500						23	
BR-MKI/30/3000/60-42/48	3000	26							

Bracket d=Φ48mm
for fitting in pole top Φ60mm

Code	p	h	r	d	d ₁	d ₂	Weight	c _x	
	mm	mm	mm	mm	mm	mm	kg	°	
Φ60	BR-MKI/10/1000/60-60/48	1000	1000	500	Φ48x3	Φ60x3	Φ60	9	15
	BR-MKI/10/1500/60-60/48	1500						11	
	BR-MKI/15/1500/60-60/48		1500	13					
	BR-MKI/15/2000/60-60/48	14							
	BR-MKI/15/2500/60-60/48	16							
	BR-MKI/ 20/1500/60-60/48	1500	2000	1000				15	
	BR-MKI/20/2000/60-60/48	2000						16	
	BR-MKI/20/2500/60-60/48	2500	2500	1000				18	
	BR-MKI/25/2000/60-60/48	2000						18	
	BR-MKI/25/2500/60-60/48	2500						20	
	BR-MKI/30/2000/60-60/48	2000	3000	1200				21	
	BR-MKI/30/2500/60-60/48	2500						23	
	BR-MKI/30/3000/60-60/48	3000						26	

Bracket d=Φ60mm
for fitting in pole top Φ70mm

Code	p	h	r	d	d ₁	d ₂	Weight	c _x	
	mm	mm	mm	mm	mm	mm	kg	°	
Φ42	BR-MKI/10/1000/60-42/60	1000	1000	500	Φ60x3	Φ60x3	Φ42	9	15
	BR-MKI/10/1500/60-42/60	1500						11	
	BR-MKI/15/1500/60-42/60		1500	13					
	BR-MKI/15/2000/60-42/60	14							
	BR-MKI/15/2500/60-42/60	16							
	BR-MKI/ 20/1500/60-42/60	1500	2000	1000				15	
	BR-MKI/20/2000/60-42/60	2000						16	
	BR-MKI/20/2500/60-42/60	2500	2500	1000				18	
	BR-MKI/25/2000/60-42/60	2000						18	
	BR-MKI/25/2500/60-42/60	2500						20	
	BR-MKI/30/2000/60-42/60	2000	3000	1200				21	
	BR-MKI/30/2500/60-42/60	2500						23	
	BR-MKI/30/3000/60-42/60	3000						26	
	Φ60	BR-MKI/10/1000/60-60/60	1000	1000				500	
BR-MKI/10/1500/60-60/60		1500	11						
BR-MKI/15/1500/60-60/60			1500	13					
BR-MKI/15/2000/60-60/60		2000		14					

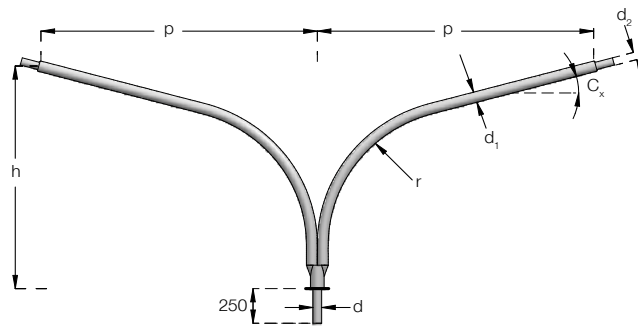
Code	p	h	r	d	d ₁	d ₂	Weight	c _x	
	mm	mm	mm	mm	mm	mm	kg	°	
Φ60	BR-MKI/15/2500/60-60/60	2500	1500	1000	Φ60x3	Φ60x3	Φ60	16	15
	BR-MKI/ 20/1500/60-60/60	1500	2000					15	
	BR-MKI/20/2000/60-60/60	2000						16	
	BR-MKI/20/2500/60-60/60	2500						18	
	BR-MKI/25/2000/60-60/60	2000	2500					1200	
	BR-MKI/25/2500/60-60/60	2500		20					
	BR-MKI/30/2000/60-60/60	2000	3000	1200				21	
	BR-MKI/30/2500/60-60/60	2500						23	
	BR-MKI/30/3000/60-60/60	3000						26	

Note

Tables are grouped according to bracket spigot d₂

**"DOUBLE"
Curved bracket**

Indicative drawing



**Tables
Double curved bracket**

Bracket d=Φ48mm for fitting in pole top Φ60mm

Code	p	h	r	d	d ₁	d ₂	Weight	c _x	
	mm	mm	mm	mm	mm	mm	kg	°	
Φ42	BR-DKI/10/1000/60-42/48	1000	1000	500	Φ48x3	Φ60x3	Φ42	15	15
	BR-DKI/10/1500/60-42/48	1500						19	
	BR-DKI/15/1500/60-42/48							22	
	BR-DKI/15/2000/60-42/48	2000	1500	1000				26	
	BR-DKI/15/2500/60-42/48	2500						30	
	BR-DKI/20/1500/60-42/48	1500	2000	1200				24	
	BR-DKI/20/2000/60-42/48	2000						28	
	BR-DKI/20/2500/60-42/48	2500						32	
	BR-DKI/25/2000/60-42/48	2000	2500	1200				32	
	BR-DKI/25/2500/60-42/48	2500						36	
	BR-DKI/30/2000/60-42/48	2000	3000	1200				36	
	BR-DKI/30/2500/60-42/48	2500						40	
BR-DKI/30/3000/60-42/48	3000	44							

Bracket d=Φ48mm
for fitting in pole top Φ60mm

Code	p	h	r	d	d ₁	d ₂	Weight	c _x	
	mm	mm		mm	mm	mm	kg	°	
Φ60	BR-DKI/10/1000/60-60/48	1000	1000	500	Φ48x3	Φ60x3	Φ60	15	15
	BR-DKI/10/1500/60-60/48	1500						19	
	BR-DKI/15/1500/60-60/48		1500	22					
	BR-DKI/15/2000/60-60/48	26							
	BR-DKI/15/2500/60-60/48	30							
	BR-DKI/ 20/1500/60-60/48	1500	2000	1000				24	
	BR-DKI/20/2000/60-60/48	28							
	BR-DKI/20/2500/60-60/48	2500	32						
	BR-DKI/25/2000/60-60/48	2000	2500	1000				32	
	BR-DKI/25/2500/60-60/48	2500						36	
	BR-DKI/30/2000/60-60/48	2000	3000	1200				36	
	BR-DKI/30/2500/60-60/48	2500						40	
	BR-DKI/30/3000/60-60/48	3000						44	

Bracket d=Φ60mm
for fitting in pole top Φ70mm

Code	p	h	r	d	d ₁	d ₂	Weight	c _x	
	mm	mm	mm	mm	mm	mm	kg	°	
Φ42	BR-DKI/10/1000/60-42/60	1000	1000	500	Φ60x3	Φ60x3	Φ42	15	15
	BR-DKI/10/1500/60-42/60	1500						19	
	BR-DKI/15/1500/60-42/60		1500	22					
	BR-DKI/15/2000/60-42/60	26							
	BR-DKI/15/2500/60-42/60	30							
	BR-DKI/ 20/1500/60-42/60	1500	2000	1000				24	
	BR-DKI/20/2000/60-42/60	28							
	BR-DKI/20/2500/60-42/60	2500	32						
	BR-DKI/25/2000/60-42/60	2000	2500	1000				32	
	BR-DKI/25/2500/60-42/60	2500						36	
	BR-DKI/30/2000/60-42/60	2000	3000	1200				36	
	BR-DKI/30/2500/60-42/60	2500						40	
	BR-DKI/30/3000/60-42/60	3000						44	
	Φ60	BR-DKI/10/1000/60-60/60	1000	1000				500	
BR-DKI/10/1500/60-60/60		1500	19						
BR-DKI/15/1500/60-60/60			1500	22					
BR-DKI/15/2000/60-60/60		26							

Code	p	h	r	d	d ₁	d ₂	Weight	c _x		
	mm	mm	mm	mm	mm	mm	kg	°		
Φ60	BR-DKI/15/2500/60-60/60	2500	1500	1000	Φ60x3	Φ60x3	Φ60	30	15	
	BR-DKI/ 20/1500/60-60/60	1500						24		
	BR-DKI/20/2000/60-60/60	2000	2000					28		
	BR-DKI/20/2500/60-60/60	2500						32		
	BR-DKI/25/2000/60-60/60	2000	2500					32		
	BR-DKI/25/2500/60-60/60	2500						36		
	BR-DKI/30/2000/60-60/60	2000						36		
	BR-DKI/30/2500/60-60/60	2500	3000					1200		40
	BR-DKI/30/3000/60-60/60	3000								44

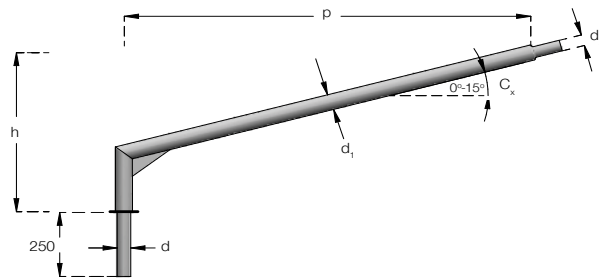
Note

Tables are grouped according to bracket spigot d₂

Straight brackets for the street lighting

**"SINGLE"
Straight bracket**

Indicative drawing



Tables

Single straight bracket

Bracket d=Φ48mm
for fitting in pole top Φ60mm

Code	p	h	d	d ₁	d ₂	Weight	c _x	
	mm	mm	mm	mm	mm	kg	°	
Φ42	BR-MEI/500/60-42/48	500	170	Φ48x3	Φ60x3	Φ42	6	5
	BR-MEI/1000/ 60-42/48	1000	210				7	
	BR-MEI/1500/ 60-42/48	1500	250				10	
	BR-MEI / 2000/ 60-42/48	2000	300				13	
	BR-MEI/ 2500/ 60-42/48	2500	340				16	
	BR-MEI/ 2500/ 60-42/48/4						Φ60x4	
Φ60	BR-MEI/500/60-60/48	500	170	Φ48x3	Φ60x3	Φ60	6	5
	BR-MEI/1000/60-60/48	1000	210				7	
	BR-MEI/1500/60-60/48	1500	250				10	
	BR-MEI / 2000/ 60-60/48	2000	300				13	
	BR-MEI / 2500/ 60-60/48	2500	340				16	
	BR-MEI/ 2500/ 60-60/48/4						Φ60x4	

Bracket d=Φ60mm
for fitting in pole top Φ70mm

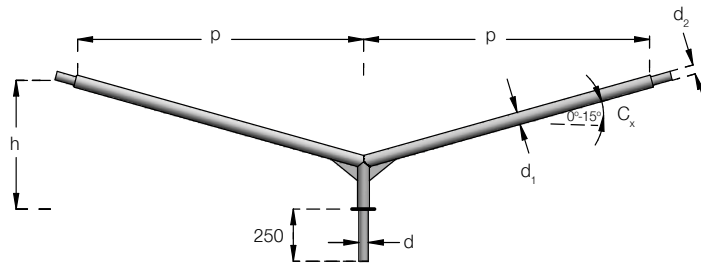
Code	p	h	d	d ₁	d ₂	Weight	c _x
	mm	mm	mm	mm	mm	kg.	°
Φ42	BR-MEI/500/60-42/60	500	170	Φ60x3	Φ60x3	Φ42	5
	BR-MEI/1000/60-42/60	1000	210				
	BR-MEI/1500/60-42/60	1500	250				
	BR-MEI/2000/60-42/60	2000	300				
	BR-MEI/2500/60-42/60	2500	340				
	BR-MEI/2500/60-42/60/4				Φ60x4		

Note
Tables are grouped according
to bracket spigot d₂

Φ60	BR-MEI/500/60-60/60	500	170	Φ60x3	Φ60x3	Φ60	5
	BR-MEI/1000/60-60/60	1000	210				
	BR-MEI/1500/60-60/60	1500	250				
	BR-MEI/2000/60-60/60	2000	300				
	BR-MEI/2500/60-60/60	2500	340				
	BR-MEI/2500/60-60/60/4				Φ60x4		

“DOUBLE”
Straight bracket

Indicative drawing



Tables
Double straight bracket

Bracket d=Φ48mm
for fitting in pole top Φ60mm

Code	p	h	d	d ₁	d ₂	Weight	c _x
	mm	mm	mm	mm	mm	kg.	°
Φ42	BR-DEI/500/60-42/48	500	170	Φ48x3	Φ60x3	Φ42	5
	BR-DEI/1000/60-42/48	1000	210				
	BR-DEI/1500/60-42/48	1500	250				
	BR-DEI/2000/60-42/48	2000	300				
	BR-DEI/2500/60-42/48	2500	340				
	BR-DEI/2500/60-42/48/4				Φ60x4		
Φ60	BR-DEI/500/60-60/48	500	170	Φ48x3	Φ60x3	Φ60	5
	BR-DEI/1000/60-60/48	1000	210				
	BR-DEI/1500/60-60/48	1500	250				

Code		p	h	d	d ₁	d ₂	Weight	c _x
		mm	mm	mm	mm	mm	kg.	°
Φ60	BR-DEI/2000/60-60/48	2000	300	Φ48x3	Φ60x3	Φ60	26	5
	BR-DEI/2500/60-60/48	2500	340				28	
	BR-DEI/2500/60-60/48/4				Φ60x4		34	

Bracket d=Φ60mm
for fitting in pole top Φ70mm

Code		p	h	d	d ₁	d ₂	Weight	c _x
		mm	mm	mm	mm	mm	kg.	°
Φ42	BR-DEI/500/60-42/60	500	164	Φ60x3	Φ60x3	Φ42	10	5
	BR-DEI/1000/60-42/60	1000	208				14	
	BR-DEI/1500/60-42/60	1500	252				19	
	BR-DEI/2000/60-42/60	2000	295				26	
	BR-DEI/2500/60-42/60	2500	339				28	
	BR-DEI/2500/60-42/60/4				Φ60x4		34	

Note

Tables are grouped according
to bracket spigot d₂

Φ60	BR-DEI/500/60-60/60	500	164	Φ60x3	Φ60x3	Φ60	10	5
	BR-DEI/1000/60-60/60	1000	208				14	
	BR-DEI/1500/60-60/60	1500	252				19	
	BR-DEI/2000/60-60/60	2000	295				26	
	BR-DEI/2500/60-60/60	2500	339				28	
	BR-DEI/2500/60-60/60/4				Φ60x4		34	

Copyright © 2014 - All rights reserved ZINCOMETAL S.A.

All rights reserved.

Reproduction in whole or in part is prohibited without the prior written consent of the copyright owner. The information presented in this document does not form part of any quotation or contract, is believed to be accurate and reliable and may be changed without notice. No liability will be accepted by the publisher for any consequence of its use. Publication thereof does not convey nor imply any license under patent or other industrial or intellectual property rights.



www.zincometal.gr

Δ. 10ο χλμ. Κιλκίς-Πολυκάστρου
61100 Κιλκίς, τ.θ. 21
AD. 10th km. Kilkis - Polikastro
P.C. 61100 Kilkis, Greece

T. +30 23410 75651-3
+30 23410 71581
F. +30 23410 71734

E. info@zincometal.gr
WEB. www.zincometal.gr

zin
lux
lighting

hellenic griglia